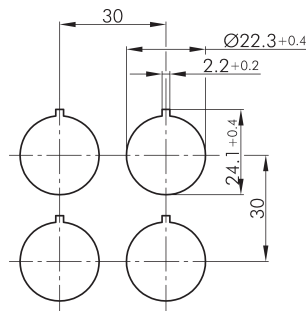
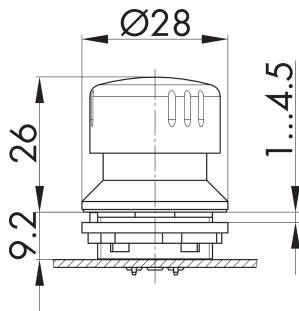




Emergency-stop head made of aluminium for robust applications for 9.2 mm mounting depth FRVKAL



Category:	Emergency-stops
Series:	Shortron® base-plate mounting
Panel cut-out:	Ø 22.3 mm
Degree of protection:	IP65 / IP67
Illumination:	no
With labelling option:	no
Front bezel	yellow
mushroom head	red
Storage temperature:	-40°C ... 80°C
Operating temperature:	-25°C ... 70°C
Shape:	round
Mechanical life:	50,000 switching cycles
Foolproof:	yes
Anti-lock collar:	no
Switching position indicator:	yes
Release:	twist right or left